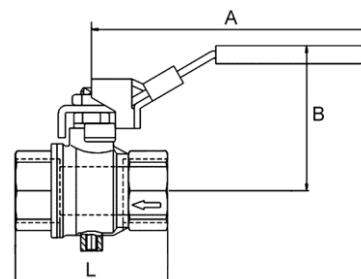


Safety ball valves lockable with relief port

Safety ball valves, two parts, made of nickel-plated brass. Specially designed for pneumatic applications. The valve shuts off the supply line and bleeds the application area.

Lockable hand lever in closed position ensures a high protection against manipulation.

Housing	Nickel-plated brass
Ball	Chrome-plated brass
Hand lever	Steel - PVC coated
Bore size handle	7 mm
Ball seals	PTFE
Stem seal	FKM
Thread	Rp-Thread acc. to EN 10226
Operating temperature	-10 °C to +100 °C (depending on operating pressure)
Relief port	M5 (>1": Relief port G 1/4)



Safety ball valves, lockable, nickel-plated brass with relief port

Art. No.	Ident No.	Thread	DN	PN bar	A mm	B mm	L mm
321.02	103149	Rp 1/4	8	14	96.0	49.0	45.0
321.03	103150	Rp 3/8	10	14	96.0	49.0	45.0
321.04	103151	Rp 1/2	15	14	96.0	51.0	59.0
321.05	103152	Rp 3/4	20	14	117.0	60.0	64.0
321.06	103153	Rp 1	25	14	117.0	64.0	81.0
321.07	103154	Rp 1 1/4	32	14	157.0	80.0	93.0
321.08	103155	Rp 1 1/2	40	14	157.0	86.0	102.0
321.09	103156	Rp 2	50	14	157.0	93.0	121.0



321.04



VS 38

Padlock

Art. No.	Ident No.	Description
VS 38	139824	Band Ø 7 mm

Department eDocumentation

Phone +49 7125 9497-41, -42, -53, -260, -330

Fax +49 7125 9497-99

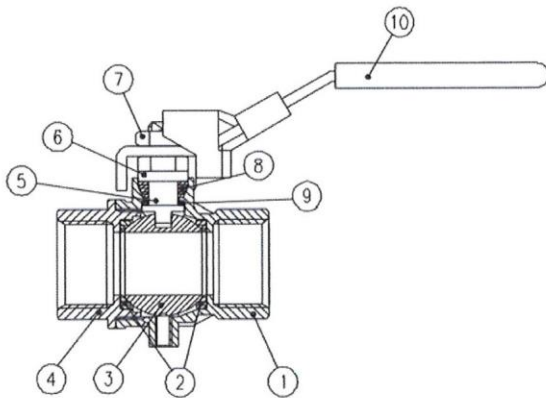
e-mail: eDocumentation@riegler.de

www.riegler.net

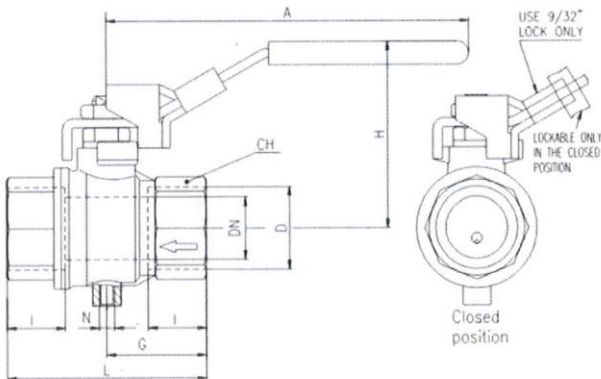
Subject to technical changes and errors reserved. The proficiency testing is the responsibility of the user. The specified data do not represent legally guaranteed properties.

edition 02/2024

RIEGLER & Co. KG



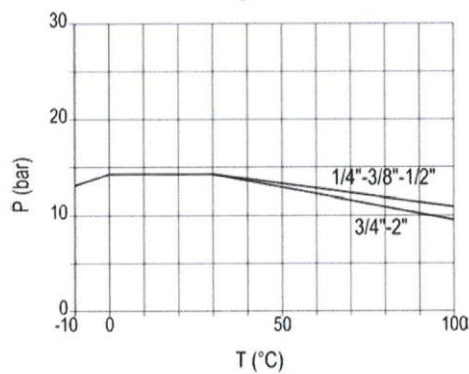
PART DESCRIPTION	Q.TY	MATERIAL
1 Nickel plated body	1	CW617N
2 Seat	2	PTFE glass filled 5-15%
3 Chrome plated ball	1	CW617N
4 Nickel plated end cap	1	CW617N
5 Nickel plated stem packing gland design	1	CW617N
6 Nickel plated gland nut	1	CW617N
7 Geomet® nut	1	CB4FF
8 Packing gland seal	1	PTFE
9 Washer	1	PTFE carbon filled 25%
10 Light blue PVC coated Geomet® steel lockable handle	1	DD11



D (inch)	1/4	3/8	1/2	3/4	1	1 1/4	1 1/2	2
DN (mm)	8	10	15	20	25	32	40	50
I (mm)	12	12	15.5	17	21	23	23	26.5
L (mm)	45	45	59	64	81	93	102	121
G (mm)	22.5	22.5	29.5	32	40.5	46.5	51	60.5
A (mm)	96	96	96	117	117	156.5	156.5	156.5
H (mm)	48.5	48.5	51	60	64	80	86	93
CH (mm)	20	20	25	31	40	49	54	68.5
N	M5			G 1/4"				

DN shows the nominal flow diameter. Actual flow diameter complies with full port DIN 3357 part 4.

Pressure - Temperature Chart



Pressure Drop Chart

